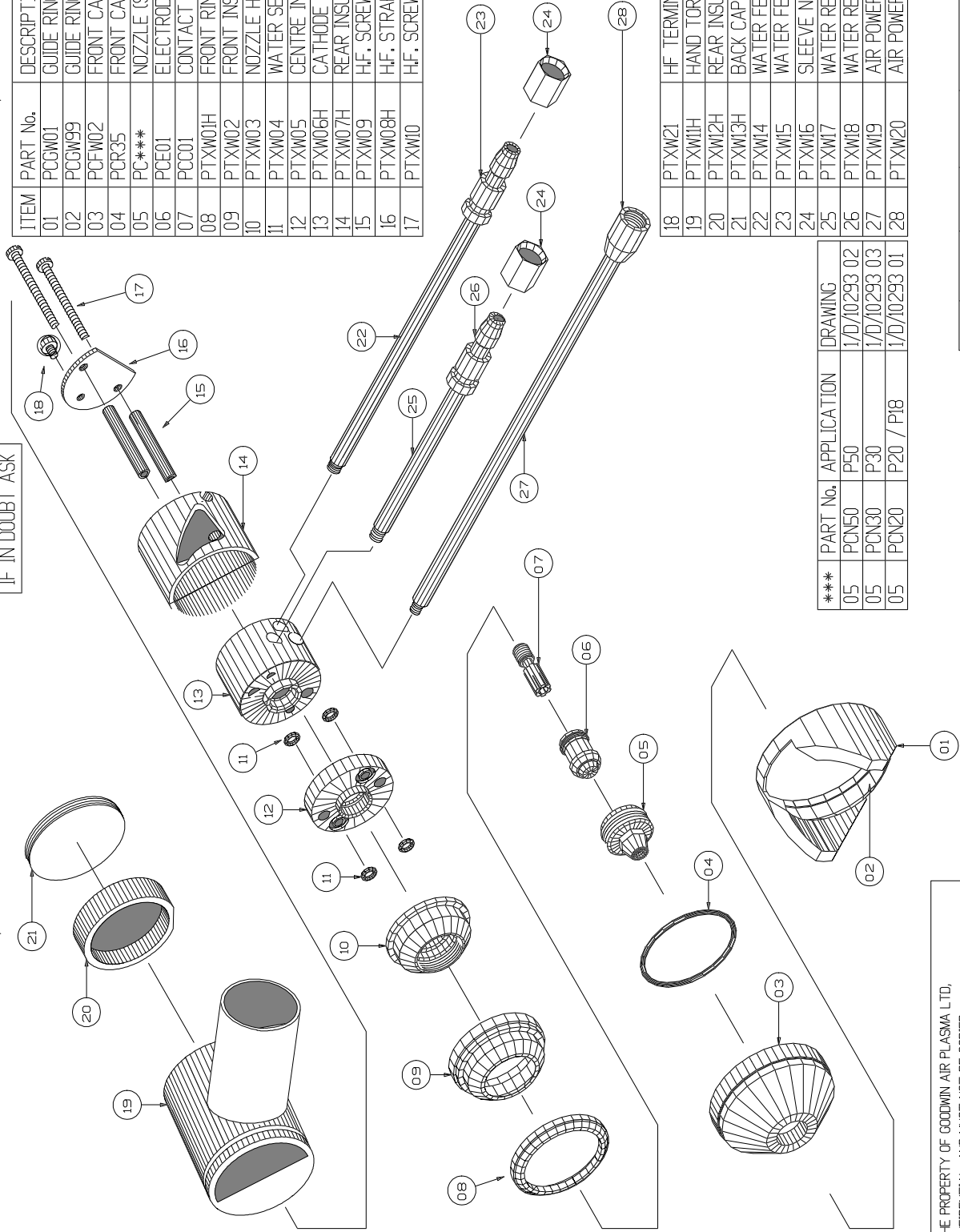


IF IN DOUBT ASK



ITEM	PART No.	DESCRIPTION	DRAWING
01	PCGW01	GUIDE RING AND INSERT ASSY	1/D/10273
02	PCGW99	GUIDE RING INSERT	1/D/10274
03	PCFW02	FRONT CAP	1/D/10291
04	PCR35	FRONT CAP RETAINING O RING	1/D/10063 04
05	PC***	NOZZLE (SEE INSET)	
06	PCE01	ELECTRODE ASSEMBLY	1/D/10312 01
07	PCC01	CONTACT TUBE	1/D/10330
08	PTXW01H	FRONT RING	1/D/10302
09	PTXW02	FRONT INSULATOR	1/D/10197
10	PTXW03	NOZZLE HOLDER	1/D/10192
11	PTXW04	WATER SEAL O RING	1/D/10063 03
12	PTXW05	CENTRE INSULATOR	1/D/10510
13	PTXW06H	CATHODE BLOCK	1/D/10188
14	PTXW07H	REAR INSULATOR	1/D/10209
15	PTXW09	H.F. SCREW INSULATOR	1/D/10314 04
16	PTXW08H	H.F. STRAP	1/D/10233
17	PTXW10	H.F. SCREW	

18	PTXW21	HF TERMINAL SCREW	
19	PTXW11H	HAND TORCH BODY	1/D/10145
20	PTXW12H	REAR INSULATOR COVER	1/D/10212
21	PTXW13H	BACK CAP	1/D/10213
22	PTXW14	WATER FEED PIPE INSULATOR	1/D/10314 01
23	PTXW15	WATER FEED PIPE ASSY	1/D/10401 02
24	PTXW16	SLEEVE NUT	1/D/10068
25	PTXW17	WATER RETURN PIPE INSULATOR	1/D/10314 05
26	PTXW18	WATER RETURN PIPE ASSY	1/D/10401 03
27	PTXW19	AIR POWER PIPE INSULATOR	1/D/10314 02
28	PTXW20	AIR POWER PIPE ASSY	1/D/10401 01

*** PART No.	APPLICATION	DRAWING
05	PCN50	1/D/10293 02
05	PCN30	1/D/10293 03
05	PCN20	P20 / P18

ISSUE	DATE	CHECKED	REQUESTED	CHANGE
10	6/5/98	P.H.		PART NUMBERS CHANGED

ALL DIMENSIONS IN MILLIMETRES

NOT TO SCALE

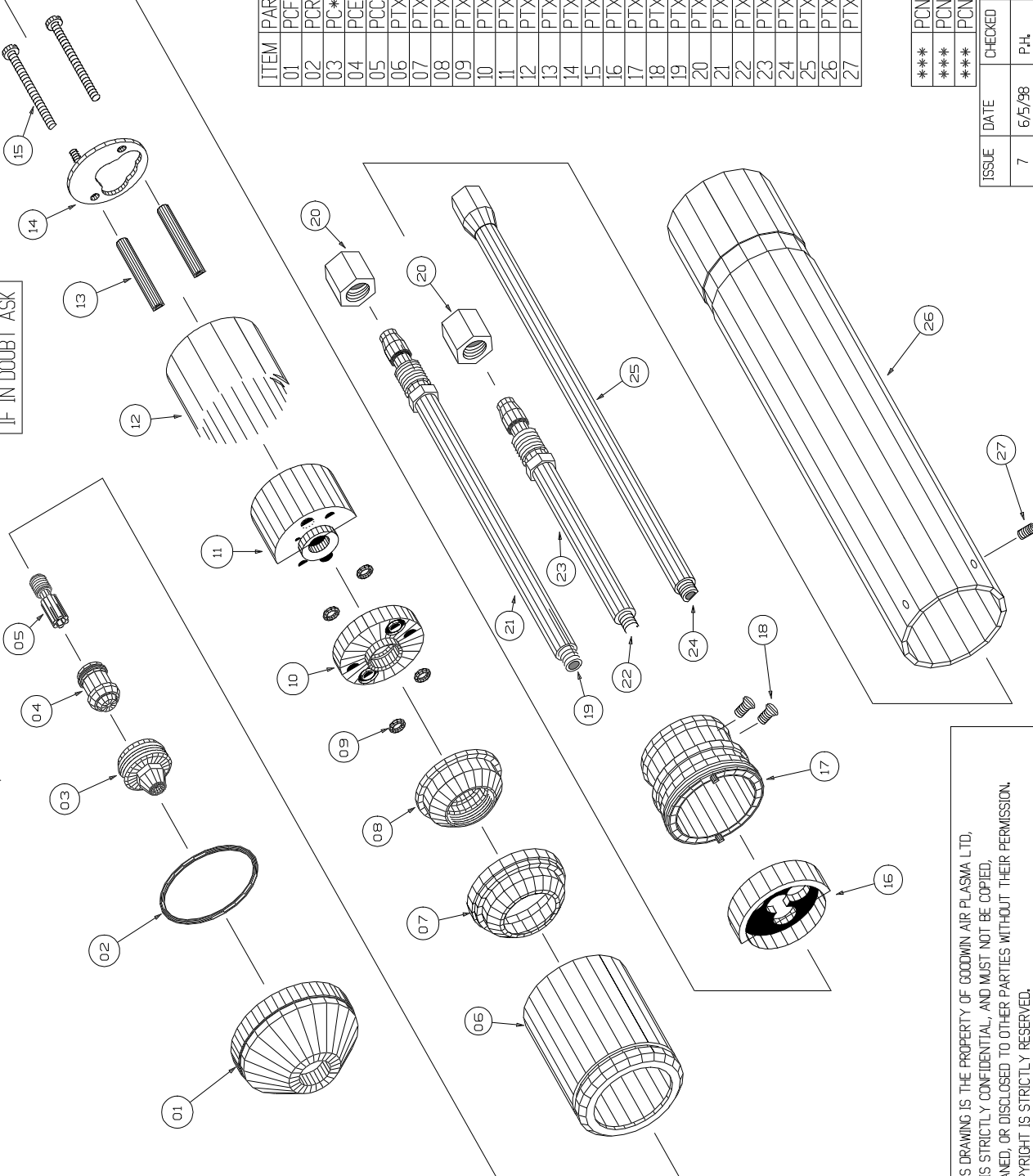
TITLE EXPLODED VIEW OF
WATER COOLED HAND TORCH
(PTWH)

MATERIAL
SPEC
DRAWN BY P.W
DATE 05/8/93 R.M. DRG No. 1/D/10438

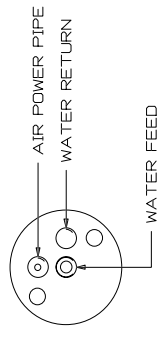
THIS DRAWING IS THE PROPERTY OF GOODWIN AIR PLASMA LTD.
IT IS STRICTLY CONFIDENTIAL, AND MUST NOT BE COPIED,
LOANED, OR DISCLOSED TO OTHER PARTIES WITHOUT THEIR PERMISSION.
COPYRIGHT IS STRICTLY RESERVED.

GOODWIN AIR PLASMA Ltd.
KERNAN DRIVE, LOUGHBOROUGH, LEICESTERSHIRE LE11 5JF Tel:01509 237369
Fax:01509 234942

IF IN DOUBT ASK



VIEW OF REAR OF CATHODE BLOCK
TO SHOW LOCATION OF WATER AND AIR PIPES



ITEM	PART No.	DESCRIPTION	DRAWING
01	PCF002	FRONT CAP	1/D/10291
02	PCR35	FRONT CAP RETAINING RING	1/D/10063.04
03	PC***	NOZZLE (SEE INSET)	1/D/10293
04	PCE01	ELECTRODE ASSEMBLY	1/D/10312
05	PCC01	CONTACT TUBE	1/D/10330
06	PTXM1M	MACHINE TORCH BODY	1/D/10214
07	PTXM02	FRONT INSULATOR	1/D/10197
08	PTXM03	NOZZLE HOLDER	1/D/10192
09	PTXM04	WATER SEAL O RING	1/D/10063.03
10	PTXM05	CENTRE INSULATOR	1/D/10510
11	PTXM06M	CATHODE BLOCK	1/D/10189
12	PTXM07M	REAR INSULATOR	1/D/10211
13	PTXM09	H.F. SCREW INSULATOR	1/D/10314.04
14	PTXM08M	H.F. STRAP	1/D/10234
15	PTXM10	H.F. SCREW	
16	PTXM12M	REAR COVER	1/D/10301
17	PTXM26M	STUB TUBE	1/D/10292
18	PTXM27M	SLIT DSK TERM. SCREW	
19	PTXM15	WATER FEED PIPE ASSY	1/D/10401.02
20	PTXM16	SLEEVE NUT	1/D/10068
21	PTXM14	WATER FEED PIPE INSULATOR	1/D/10314.01
22	PTXM18	WATER RETURN PIPE ASSY	1/D/10401.03
23	PTXM17	WATER RETURN PIPE INSULATOR	1/D/10314.05
24	PTXM20	AIR POWER PIPE ASSY	1/D/10401.01
25	PTXM19	AIR POWER PIPE INSULATOR	1/D/10314.02
26	PTXM28M	MOUNTING TUBE	1/D/10215
27	PTXM29M	MOUNTING TUBE GRUB SCREW	

***	PCN50	P50 NOZZLE	1/D/10293.02
***	PCN30	P30 NOZZLE	1/D/10293.03
***	PCN20	P20 / P18 NOZZLE	1/D/10293.01

ISSUE	DATE	CHECKED	REQUESTED	CHANGE
7	6/5/98	P.H.		PART NUMBERS CHANGED.

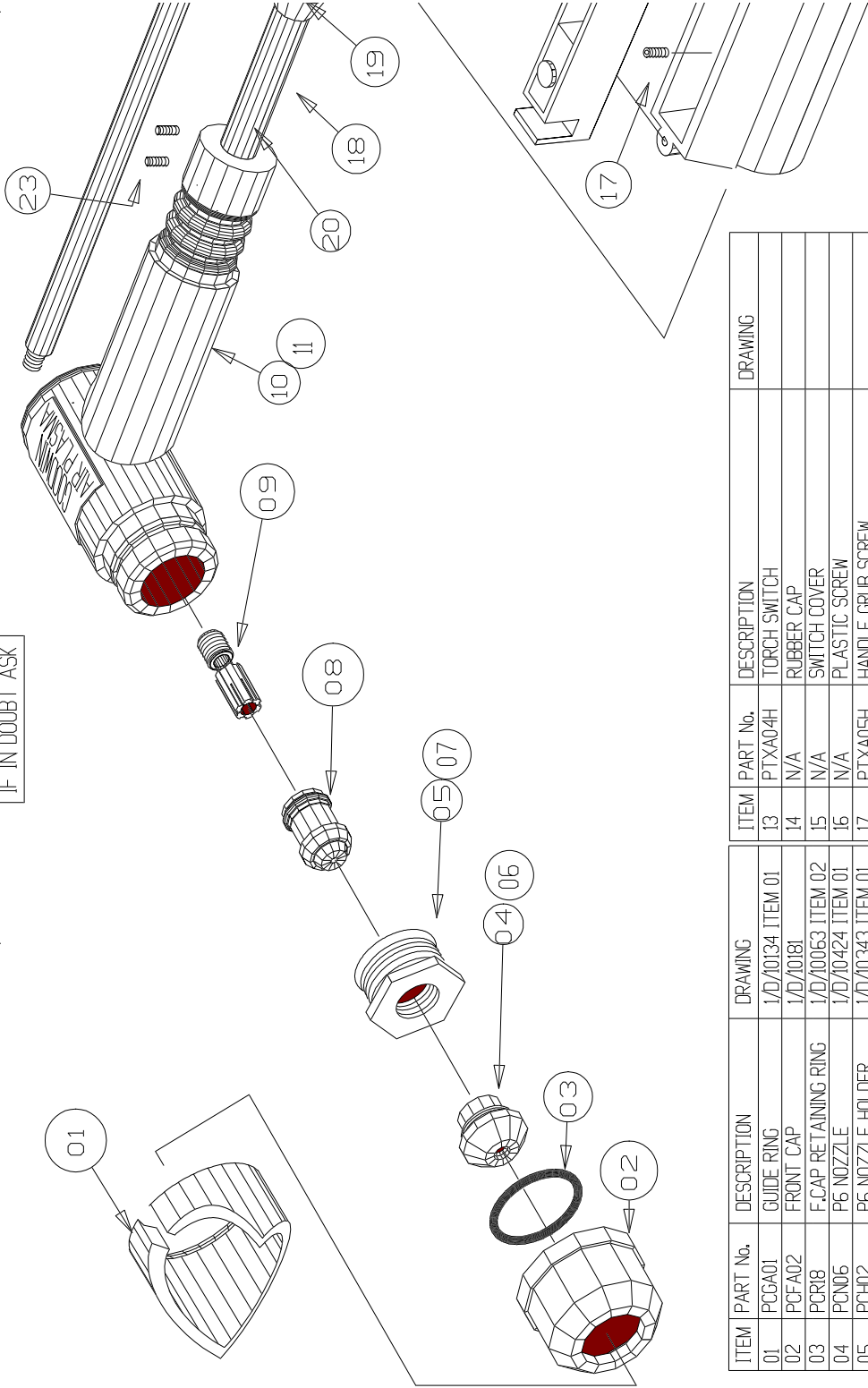
ALL DIMENSIONS IN MILLIMETRES		TITLE	
		EXPLODED VIEW OF	
		WATER COOLED MACHINE TORCH	
		(PTWM)	
NOT TO SCALE		DRAWN BY	P.W
		DATE	26/11/85
		DRG No.	1/D/10158

THIS DRAWING IS THE PROPERTY OF GOODWIN AIR PLASMA LTD,
IT IS STRICTLY CONFIDENTIAL, AND MUST NOT BE COPIED,
LOANED, OR DISCLOSED TO OTHER PARTIES WITHOUT THEIR PERMISSION.
COPYRIGHT IS STRICTLY RESERVED.

GOODWIN AIR PLASMA Ltd.

KERNAN DRIVE, LOUGHBOROUGH, LEICESTERSHIRE LE11 5JF Tel:01509 237369
Fax:01509 234942

IF IN DOUBT ASK



ITEM	PART No.	DESCRIPTION	DRAWING	ITEM	PART No.	DESCRIPTION	DRAWING
01	PCA01	GUIDE RING	1/D/10134 ITEM 01	13	PTXA04H	TORCH SWITCH	
02	PCFA02	FRONT CAP	1/D/10181	14	N/A	RUBBER CAP	
03	PCRB8	F.CAP RETAINING RING	1/D/10063 ITEM 02	15	N/A	SWITCH COVER	
04	PCN06	P6 NOZZLE	1/D/10424 ITEM 01	16	N/A	PLASTIC SCREW	
05	PCH02	P6 NOZZLE HOLDER	1/D/10343 ITEM 01	17	PTXA05H	HANDLE GRUB SCREW	
06	PCN12	P12 NOZZLE	1/D/10424 ITEM 02	18	PTXA06	AIR POWER PIPE ASSY.(SHORT)	
07	PCH03	P12 NOZZLE HOLDER	1/D/10343 ITEM 02	19	PTXA07	AIR POWER NUT	1/D/10064
08	PCE01	ELECTRODE	1/D/10312 ITEM 01	20	PTXA08	AIR POWER PIPE INSULATOR (SHORT)	
09	PCC01	CONTACT TUBE	1/D/10330	21	PTXM20	AIR POWER PIPE ASSY.	1/D/10401 ITEM 01
10	PTAH02	T-HEAD WITH SHORT PIPE	1/D/10092	22	PTXM19	AIR POWER PIPE INSULATOR	1/D/10314 ITEM 02
11	PTAH01	T-HEAD WITH LONG PIPE		23	PTXA09	HF TERMINAL GRUB SCREWS	
12	PTXA03H	HANDLE WITH SWITCH	1/D/10668				

THIS DRAWING IS THE PROPERTY OF GOODWIN AIR PLASMA LTD. IT IS STRICTLY CONFIDENTIAL, AND MUST NOT BE COPIED, LOANED, OR DISCLOSED TO OTHER PARTIES WITHOUT THEIR PERMISSION. COPYRIGHT IS STRICTLY RESERVED.

ISSUE	DATE	CHECKED	REQUESTED	CHANGE
9	23/4/98			PART

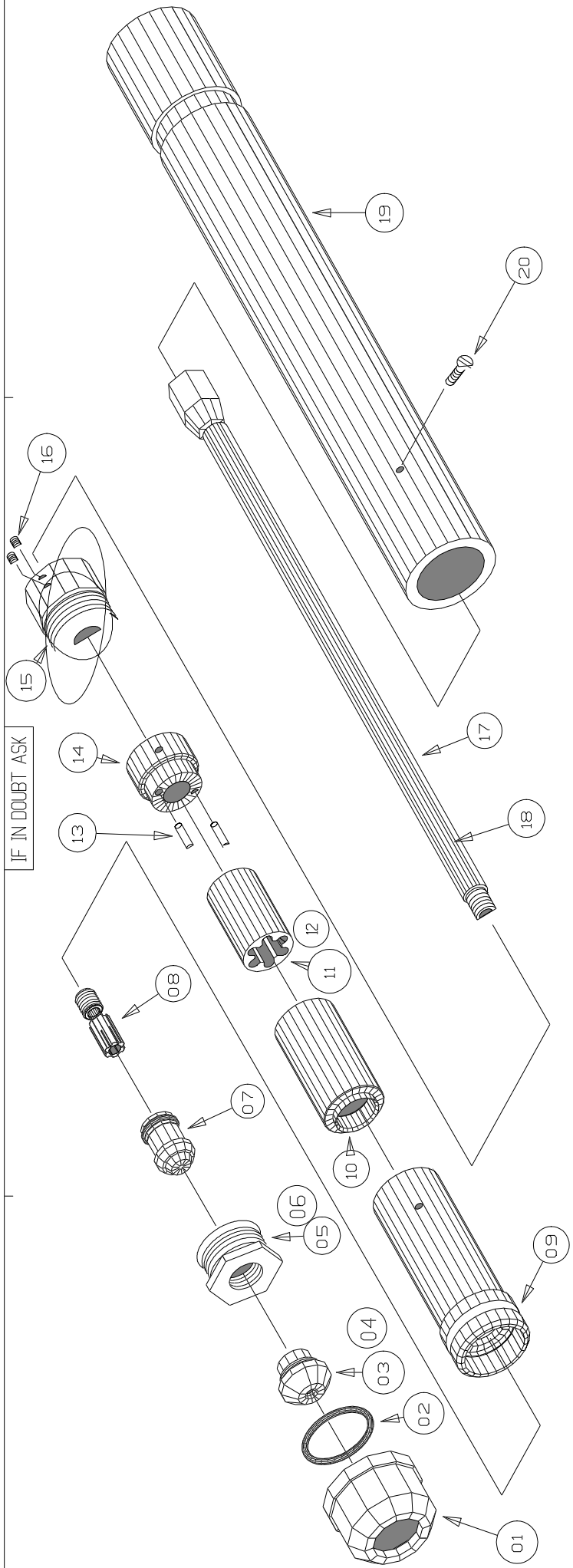
ALL DIMENSIONS IN MILLIMETRES

NOT TO SCALE

GOODWIN AIR PLASMA Ltd.
 KERNAN DRIVE, LOUGHBOROUGH, LEICESTERSHIRE LE11 5JF Tel:01509 237369
 Fax:01509 234942

MATERIAL	
SPEC	
DRAWN BY	
DATE	

IF IN DOUBT ASK



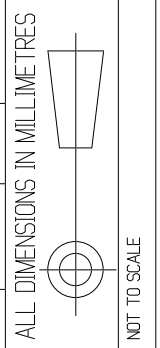
ITEM	PART No.	DESCRIPTION	DRAWING No.
01	PCFA02	FRONT CAP	1/D/10181
02	PCR18	RETAINING RING	1/D/10063 ITEM 02
03	PCN06	P6 NOZZLE	1/D/10424 ITEM 01
04	PCN12	P12 NOZZLE	1/D/10424 ITEM 02
05	PCH02	P6 NOZZLE HOLDER	1/D/10343 ITEM 01
06	PCH03	P12 NOZZLE HOLDER	1/D/10343 ITEM 02
07	PCE01	ELECTRODE	1/D/10312 ITEM 01
08	PCC01	CONTACT TUBE	1/D/10330
09	PTXA10M	TORCH BODY	1/D/10112 ITEM 01
10	PTXA11M	MAIN INSULATOR	1/D/10113
11	PTXA12M	CATHODE BLOCK	1/D/10116
12	PTXA12MM	CATHODE BLOCK (MARPLE S.)	1/D/10116

ITEM	PART No.	DESCRIPTION	DRAWING No.
13	PTXA13M	ANTI ROTATION PINS	1/D/10120
14	PTXA14M	REAR INSULATOR	1/D/10117
15	PTXA15M	REAR PLUG	1/D/10111
16	PTXA09	GRUB SCREW	
17	PTXW20	AIR POWER PIPE ASSY	1/D/10401 ITEM 01
18	PTXW19	AIR POWER PIPE INSULATOR	1/D/10314 ITEM 02
19	PTXA16M	MOUNTING TUBE	1/D/10119
20	PTXW27M	MOUNTING TUBE SCREW	

THIS DRAWING IS THE PROPERTY OF GOODWIN AIR PLASMA LTD, IT IS STRICTLY CONFIDENTIAL, AND MUST NOT BE COPIED, LOANED, OR DISCLOSED TO OTHER PARTIES WITHOUT THEIR PERMISSION. COPYRIGHT IS STRICTLY RESERVED.

GOODWIN AIR PLASMA Ltd.
 KERNAN DRIVE, LOUGHBOROUGH, LEICESTERSHIRE LE11 0JF Tel:01509 237369 Fax:01509 234942

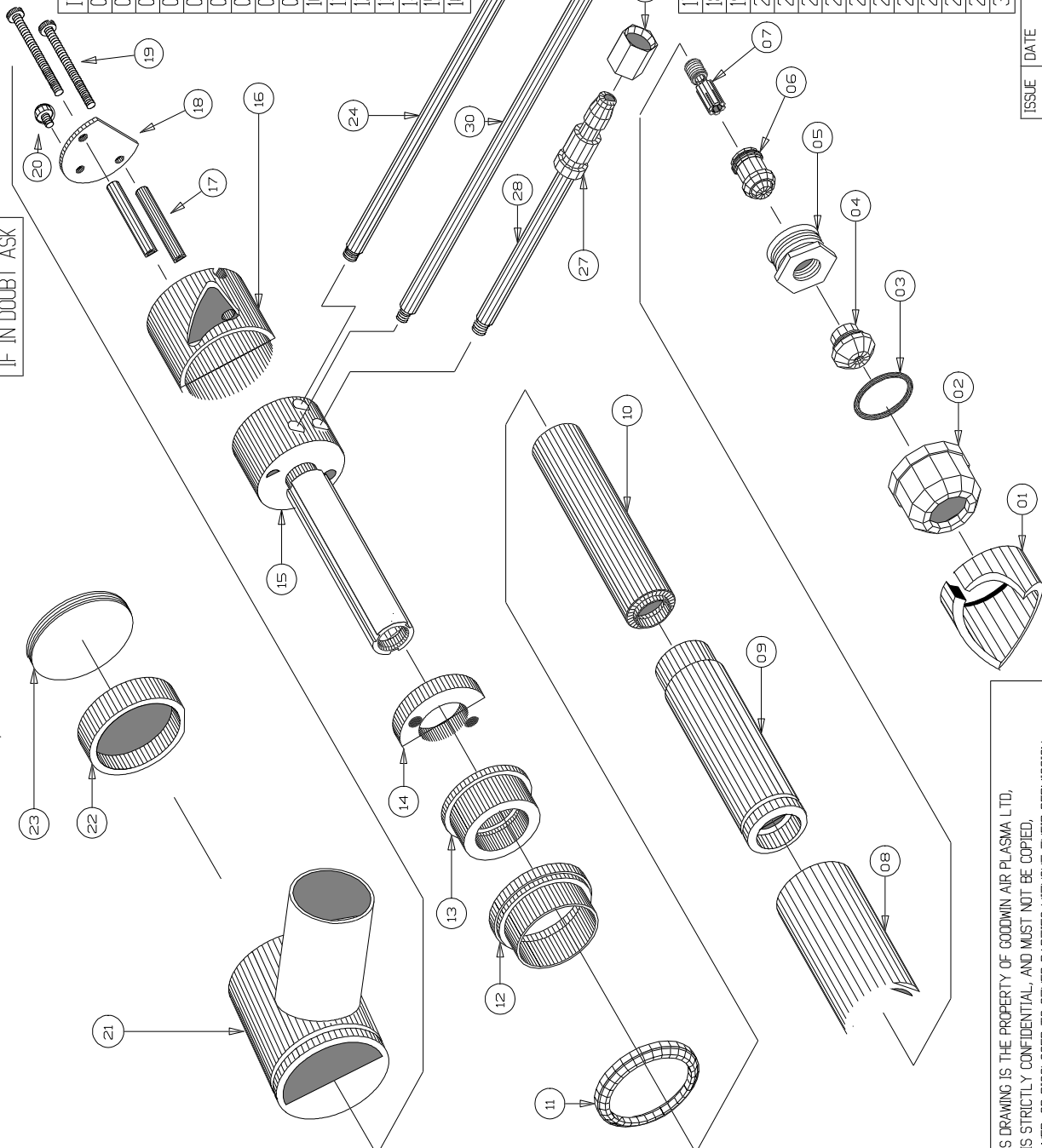
ISSUE	DATE	CHECKED	REQUESTED	CHANGE
6	12/7/98			SHORT AIR PIPE DELETED



TITLE EXPLODED VIEW OF
 AIR COOLED MACHINE TORCH
 (PTAM)

MATERIAL
SPEC
DRAWN BY P.W
DATE 12/7/95
DRG No. 1/D/10989

IF IN DOUBT ASK



ITEM	PART No.	DESCRIPTION	DRAWING
01	PCG501	GUIDE RING	1/D/10134 ITEM 02
02	PCF-A02	FRONT CAP	1/D/10181
03	PCR18	FRONT CAP RETAINING RING	1/D/10063 ITEM 02
04	PCN5	NOZZLE	1/D/10424 ITEM 03
05	PC-H04	NOZZLE HOLDER	1/D/10343 ITEM 03
06	PCE01	ELECTRODE ASSEMBLY	1/D/10312 ITEM 01
07	PCC01	CONTACT TUBE	1/D/10330
08	PTXM22S	BODY INSULATION SLEEVE	1/D/10396
09	PTXM23S	EXTENSION TUBE	1/D/10349
10	PTXM24S	CATHODE EXTENSION INSULATOR	1/D/10341
11	PTXM01H	STAINLESS FRONT RING	1/D/10302
12	PTXM02S	FRONT INSULATOR S TORCH	1/D/10346
13	PTXM25S	EXTENSION TUBE HOLDER	1/D/10348
14	PTXM05S	CENTRE INSULATOR S TORCH	1/D/10345
15	PTXM06S	CATHODE BLOCK S TORCH	1/D/10395
16	PTXM07H	REAR INSULATOR	1/D/10209

17	PTXM09	H.F. SCREW INSULATOR	1/D/10314 ITEM 04
18	PTXM08H	H.F. STRAP	1/D/10233
19	PTXM10	H.F. SCREW	
20	PTXM21H	H.F. TERMINAL SCREW	
21	PTXM11H	HAND TORCH BODY	1/D/10145
22	PTXM12H	REAR COVER	1/D/10212
23	PTXM13H	BACK CAP	1/D/10213
24	PTXM14	WATER FEED PIPE INSULATOR	1/D/10314 ITEM 01
25	PTXM15	WATER FEED PIPE ASSY.	1/D/10401 ITEM 02
26	PTXM16	SLEEVE NUT	1/D/10068
27	PTXM18	WATER RETURN PIPE ASSY.	1/D/10401 ITEM 03
28	PTXM17	WATER RETURN PIPE INSULATOR	1/D/10314 ITEM 05
29	PTXM20	AIR POWER PIPE ASSY.	1/D/10401 ITEM 01
30	PTXM19	AIR POWER PIPE INSULATOR	1/D/10134-02

ISSUE	DATE	CHECKED	REQUESTED	CHANGE
7	15/7/98			SOME DESCRIPTIONS CORRECTED

ALL DIMENSIONS IN MILLIMETRES		TITLE	
		MATERIAL	EXPLODED VIEW OF
		SPEC	S TORCH HEAD
		DRAWN BY	(PTSH)
DATE	24/8/93 R.M.	DRG No.	1/D/10399

GOODWIN AIR PLASMA Ltd.

KERNAN DRIVE, LOUGHBOROUGH, LEICESTERSHIRE LE11 0JF Tel:01509 237369
 Fax:01509 234942

THIS DRAWING IS THE PROPERTY OF GOODWIN AIR PLASMA LTD,
 IT IS STRICTLY CONFIDENTIAL, AND MUST NOT BE COPIED,
 LOANED, OR DISCLOSED TO OTHER PARTIES WITHOUT THEIR PERMISSION.
 COPYRIGHT IS STRICTLY RESERVED.